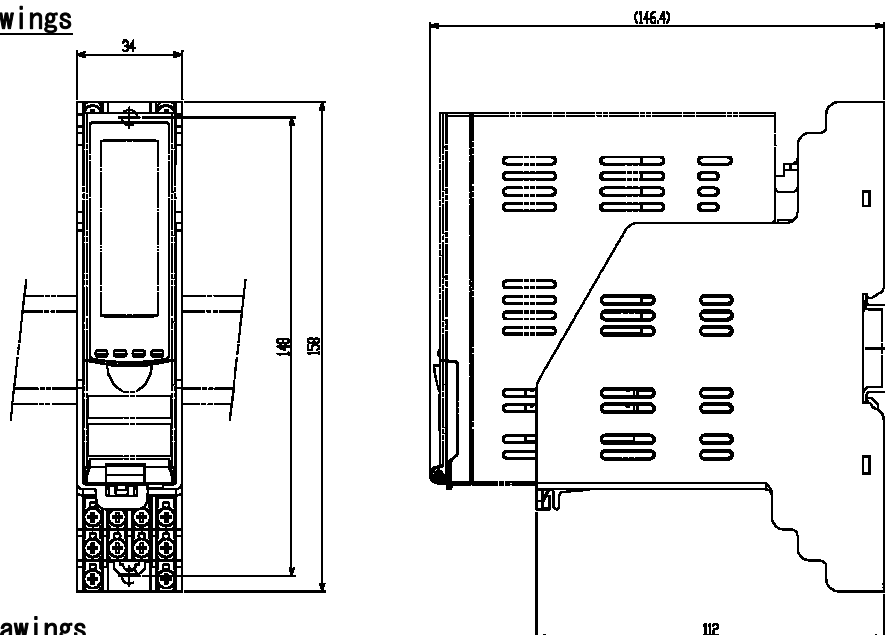


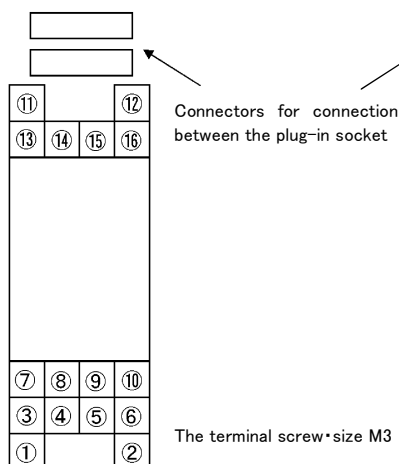
PLUG-IN SOCKET 5000-TM SPECIFICATION

Structure	Surface mounting type
Outer dimension	Approx. 34 (W) × 158 (H) × 146.4 (D) mm (projection excluding)
Weight	Approx. 0.22kg

Outline Drawings



Terminal Drawings



No.	Operation signal
1	RS-485
2	Input-output
3	COM
4	Reset
5	Test
6	Gas alarm AL1
7	Gas alarm AL2
8	Buzzer stop
9	Buzzer output
10	Fault

Buzzer unit

Operation signal	Terminal No.	Operation signal
Power input DC24V	+ ⑪ ①	Common first alarm contact output
	- ⑫ ②	
Common fault alarm contact output	⑬ ③	Vacant terminal
	⑭ ④	
Test input	⑮ ⑤	Buzzer stop signal input
Common(for ⑤,⑥,⑮)	⑯ ⑥	Reset signal input
	⑰ ⑦	Common second alarm contact output
	⑱ ⑧	
	⑲ A	RS-485 Input-output
⑲ B		

Indicator/alarm unit

Operation signal	Terminal No.	Operation signal
Power input DC24V	+ ⑪ ①	First alarm contact output
	- ⑫ ②	
Fault alarm contact output	⑬ ③	Detector
	⑭ ④	
Test input	⑮ ⑤	
Common(for ⑮)	⑯ ⑥	
	⑰ ⑦	Second alarm contact output
	⑱ ⑧	
	⑲ +	DC4~20mA output
	⑲ -	

※ The RS-485 Input-output depends on the specifications of the indicator/alarm unit.